

6

5

4

3

2

1

D

D

C

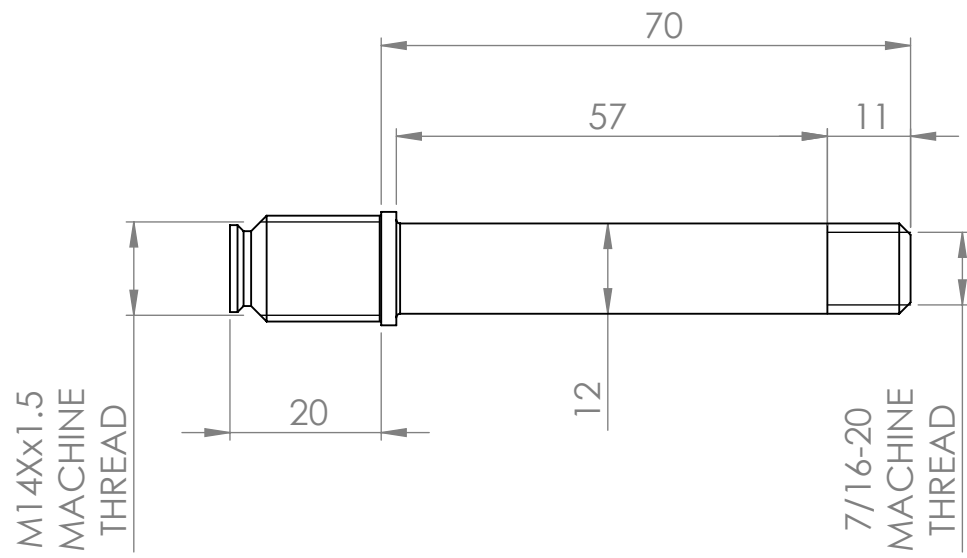
C

B

B

A

A



THE COLONY SPORTS GROUP (MBS/ATOM)		DWG NO. TRUCK - MATRIX III - AXLE		A4
CONFIDENTIAL AND PROPRIETARY	MATERIAL:			
DEBURR AND BREAK SHARP EDGES	SCM435 - Grade 10.9			
UNLESS OTHERWISE SPECIFIED: DIMENSIONS ARE IN MILLIMETERS	HRC32-39	SCALE:1:1	SHEET 4 OF 4	SHEET NAME: 12x70mm(PUBLIC)

6

5

4

3

2

1