

6

5

4

3

2

1

D

D

C

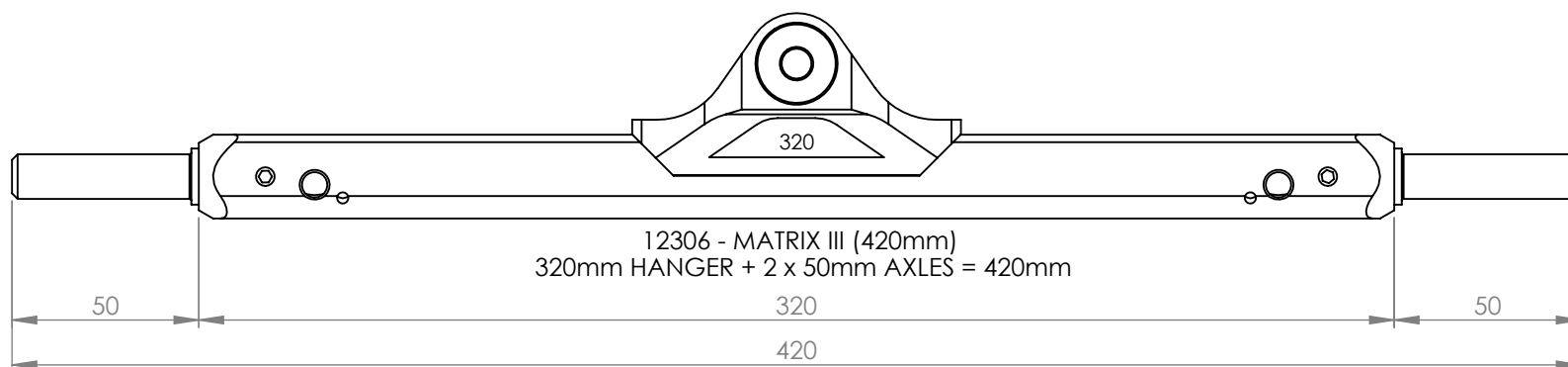
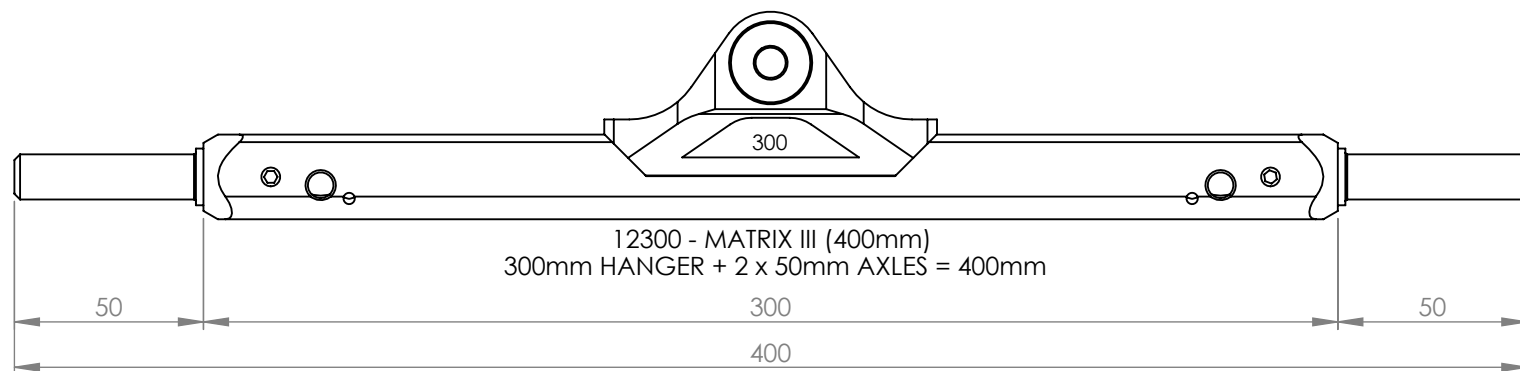
C

B

B

A

A



NOTE: UPGRADING STOCK 50mm AXLES TO 70mm AXLES
ADDS A TOTAL OF 40mm WIDTH (20mm PER AXLE).

6

5

4

3

2

1